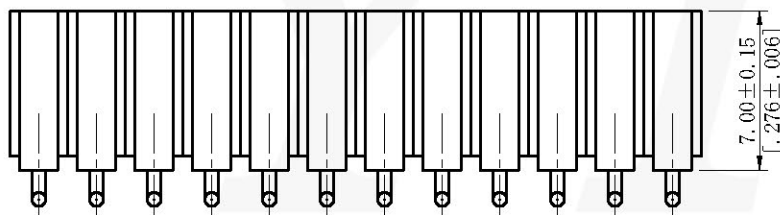
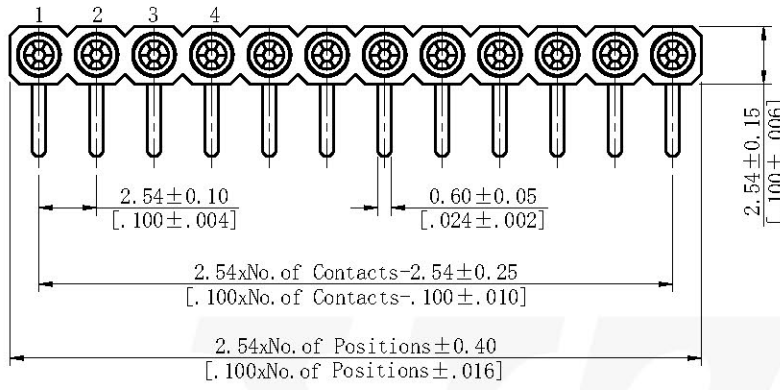


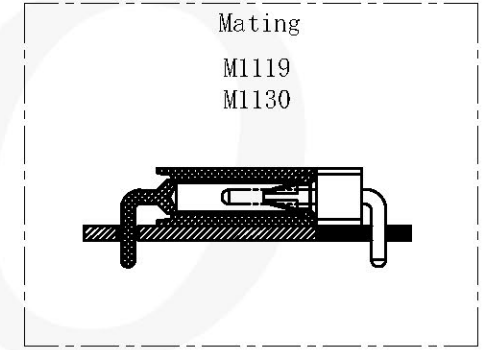
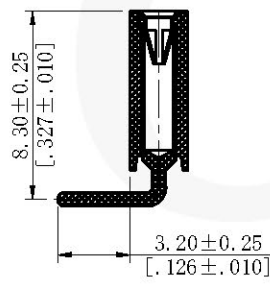
REV	REVISION	NAME	DATE

**TECHNICAL SPECS:**  
 Current Rating:3.0AMP  
 Contact Resistance:10mΩ Max  
 Dielectric Strength:Min 1000Vrms  
 Mechanical Life:Min 500 Cycles  
 Mating Pin:∅0.64 to ∅0.90mm  
 Forces:(polished steel gauge ∅0.76mm)  
 -insertion:1.2N typ  
 -withdrawal:0.6N typ  
 Operation Temperature:-40℃~+105℃

**Material**  
 Sleeve:Brass  
 Sleeve Plating:Au or Sn Over Ni.  
 Contact Clip(6 finger):BeCu,Gold Flash Plated  
 Insulator Material:Glass Filled Polyester(UL94V-0)  
 Standard:PPS  
 \*Pin Part No.:MF1240A-BXX651XX001

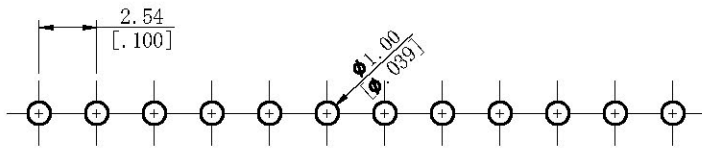


**Mating Pin**  
 ● ∅0.64 ~ ∅0.90mm  
 ■ 0.64x0.64mm



**Ordering Code:**  
 M2170-1 XX R XX 1240A X 01

No. of Pins 02~40	Clip/Sleeve Plating S0=GoldFlash/Tin S1=3u" Gold/Tin S2=5u" Gold/Tin S3=10u" Gold/Tin S4=15u" Gold/Tin S5=30u" Gold/Tin C0=Gold Flash SN=Tin	Packing O=PE Bag A=Tray T=Tube
----------------------	--	---



Recommended P.C.B Layout (Top Side)  
 (PCB BOARD TOLERANCE ±0.05)

YTCO  
 2022.07.30  
 ISSUED

THIS DRAWING IS A CONTROLLED DOCUMENT

TOLERANCES UNLESS OTHERWISE SPECIFIED	UNITS mm/inch	SCALE FIT	SIZE A4
DRAWN BY <i>Xu</i>	DATE 7/30/2022	TITLE 2.54MM SIP SOCKET SINGLE ROW Right Angle H7.0 L12.4MM	
ENGINEER <i>Zhang</i>	DATE 7/30/2022	PART NO. M2170-1XXRXX1240AX01	
CHECKED BY <i>Mike</i>	DATE 7/30/2022	DRAWING NO. M2170-R1240A	
APPROVED BY <i>Andy</i>	DATE 7/30/2022	PROJ. 594309442	FILE PATH A/D/YTCOTZ/SIP SOCKET/2.54mm
ANGLES ± 3°		SHEET 1 OF 1	REV A

**YTCO TECHNOLOGY**  
 HTTP://WWW.YTCO.CO E-MAIL:SALES@YTCO.CO