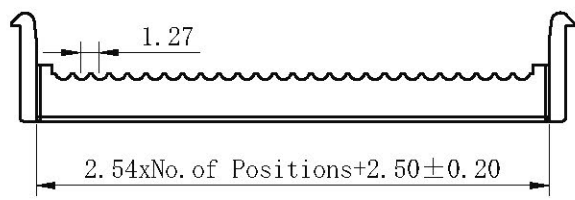
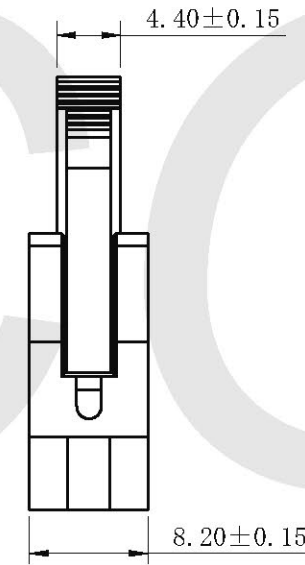
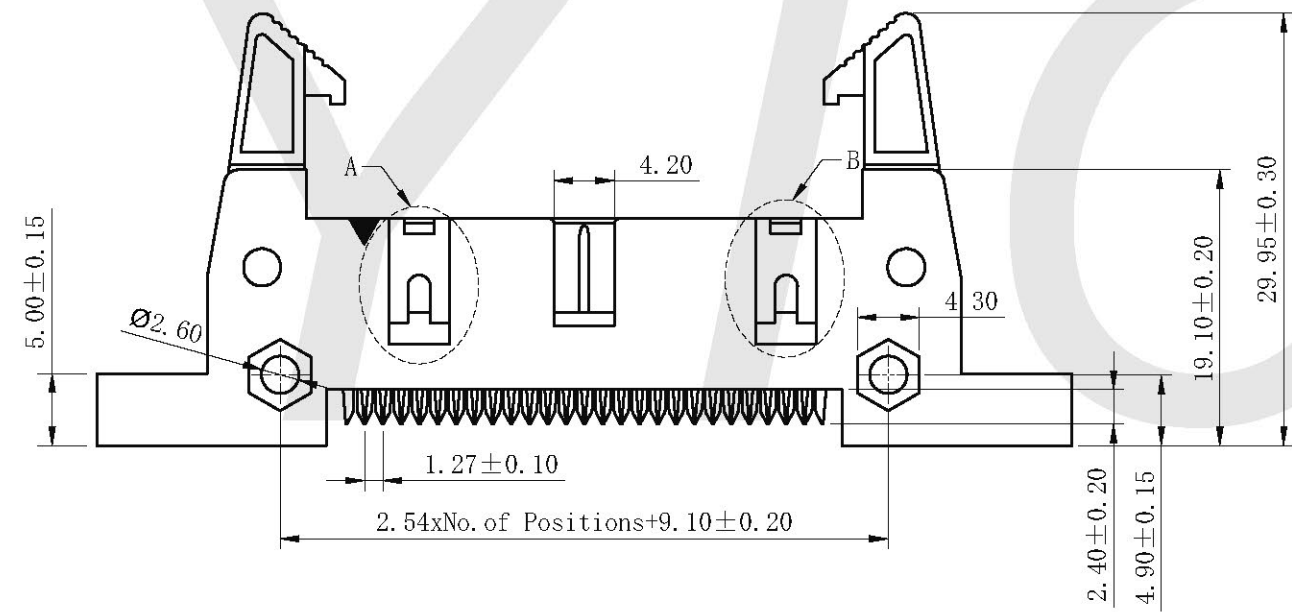
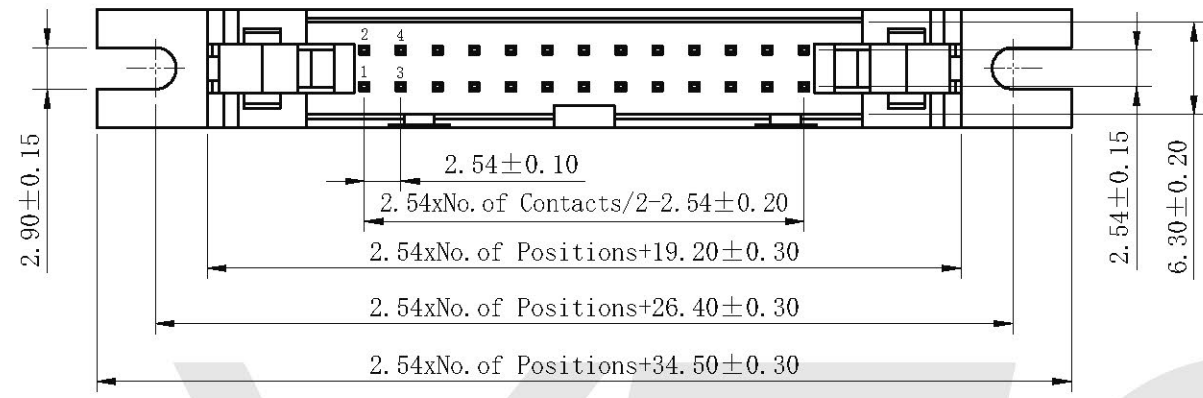


RoHS Compliant

*Due To Technical Progress, All The Information Provided Is Subject To Change Without Prior Notice.

Rev No	Revision note	Date	Signature	Checked
A/0	NEW DRAWING	DEC. 07. 2020		



Electrical:
 Current Rating: 3.0AMP.
 Contact Resistance: $20m\Omega$ Max.
 Insulation Resistance: $1000M\Omega$ Min.
 Withstanding Voltage: 1000V AC/DC.

Mechanical:
 Contact Material: Brass.
 Contact Plating: Au or Sn Over Ni.
 Insulator Material: Polyester UL94V-0.
 Standard: PBT.

Environmental:
 Operating Temp Range: $-40^{\circ}C \sim +105^{\circ}C$.
 *10P~16P Without "A" and "B"

Ordering Code:
 3120-XX W XX X L A 01

No. of Pins	Contact Plating	Insulator Material
10=10P 30=30P	S0=GoldFlash/Ni	A=BK-PBT
14=14P 34=34P	S1=3u" Gold/Ni	G=GY-PBT
16=16P 40=40P	S2=5u" Gold/Ni	
20=20P 50=50P	S3=10u" Gold/Ni	
24=24P 60=60P	S4=15u" Gold/Ni	
26=26P 64=64P	S5=30u" Gold/Ni	
	G0=Gold Flash	

ITEM	Part No.	Mating
Standard	3120-XXWSOGLA01	5111/5112
Alternate		

THIS DRAWING IS A CONTROLLED DOCUMENT

DWN: KAI XUAN, XU DATE: DEC. 07. 2020

CHK: MIKE DATE: DEC. 07. 2020

APVD: PETER DATE: DEC. 07. 2020

UNITS: MM SCALE: 1 : 1 SIZE: A4

CAGE CODE: 594309442 FILE PATH: A/D/YTCOTZ/Ejector Header/2.54mm SHEET: 1 OF 1 REV: A

YTCO TECHNOLOGY
 HTTP://WWW.YTCO.CO

TITLE: EJECTOR HEADER, 2.54MM PITCH, IDC TYPE

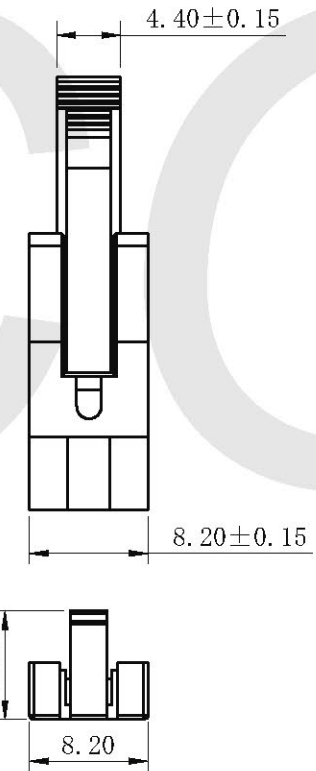
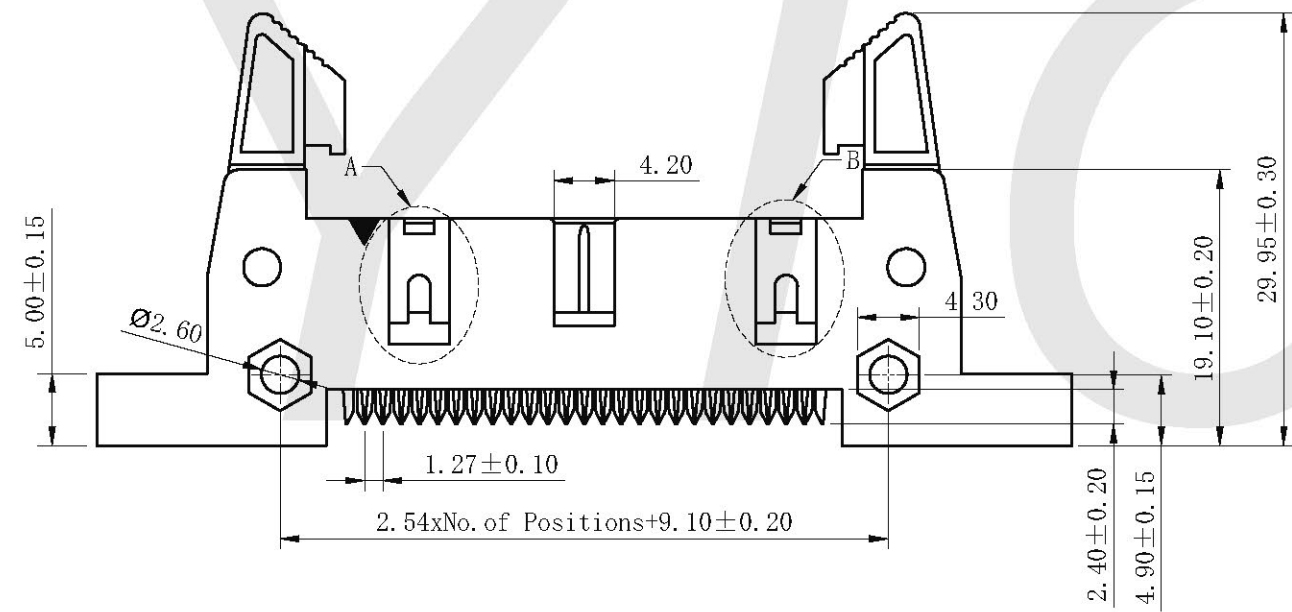
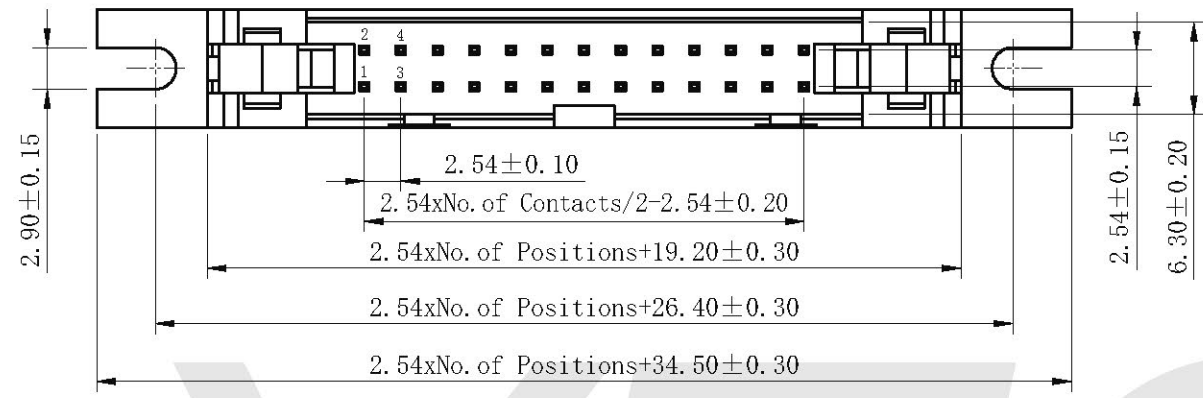
PART NO: 3120-XXWXXXLA01

DRAWING NO: 3120-W

RoHS Compliant

*Due To Technical Progress, All The Information Provided Is Subject To Change Without Prior Notice.

Rev No	Revision note	Date	Signature	Checked
A/0	NEW DRAWING	DEC. 07. 2020		



Electrical:
 Current Rating: 3.0AMP.
 Contact Resistance: $20m\Omega$ Max.
 Insulation Resistance: $1000M\Omega$ Min.
 Withstanding Voltage: 1000V AC/DC.

Mechanical:
 Contact Material: Brass.
 Contact Plating: Au or Sn Over Ni.
 Insulator Material: Polyester UL94V-0.
 Standard: PBT.

Environmental:
 Operating Temp Range: $-40^{\circ}C \sim +105^{\circ}C$.
 *10P~16P Without "A" and "B"

Ordering Code:
3120-XX W XX X S A 01

No. of Pins 10=10P 30=30P 14=14P 34=34P 16=16P 40=40P 20=20P 50=50P 24=24P 60=60P 26=26P 64=64P	Contact Plating S0=GoldFlash/Ni S1=3u" Gold/Ni S2=5u" Gold/Ni S3=10u" Gold/Ni S4=15u" Gold/Ni S5=30u" Gold/Ni G0=Gold Flash	Insulator Material A=BK-PBT G=GY-PBT
---	--	--

ITEM	Part No.	Mating
Standard	3120-XXWSOGSA01	5111/5112
Alternate		

THIS DRAWING IS A CONTROLLED DOCUMENT

DWN KAI XUAN, XU	DATE DEC. 07. 2020
CHK MIKE	DATE DEC. 07. 2020
APVD PETER	DATE DEC. 07. 2020
UNITS MM	SCALE 1 : 1
SIZE A4	
CAGE CODE 594309442	FILE PATH A/D/YTCOTZ/Ejector Header/2.54mm

YTCO TECHNOLOGY
 HTTP://WWW.YTCO.CO

TITLE
EJECTOR HEADER, 2.54MM PITCH, IDC TYPE

PART NO.
 3120-XXWXXXSA01

DRAWING NO.
 3120-W

SHEET
 1 OF 1

REV
 A