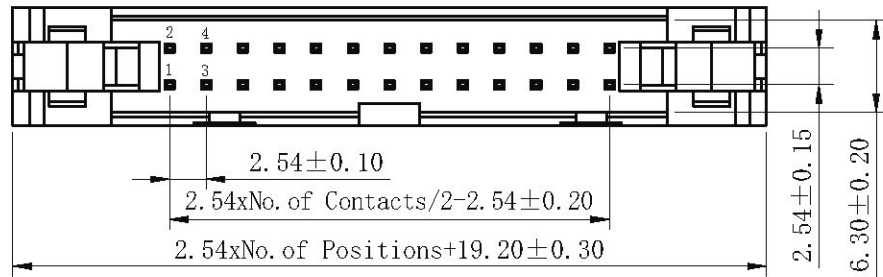


RoHS Compliant

*Due To Technical Progress, All The Information Provided Is Subject To Change Without Prior Notice.

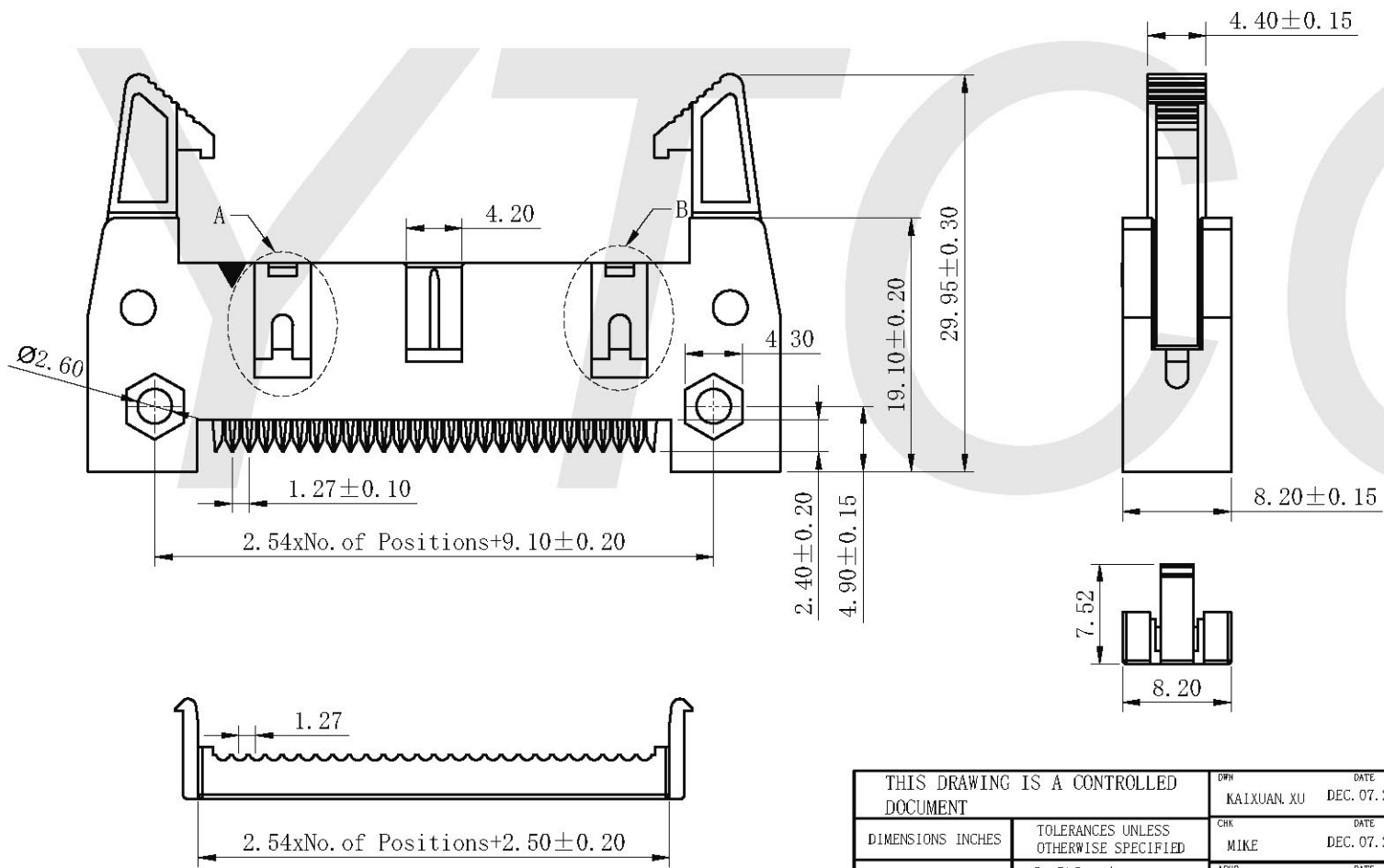
Rev No	Revision note	Date	Signature	Checked
A/0	NEW DRAWING	DEC. 07. 2020		



Electrical:
 Current Rating: 3.0AMP.
 Contact Resistance: $20m\Omega$ Max.
 Insulation Resistance: $1000M\Omega$ Min.
 Withstanding Voltage: 1000V AC/DC.

Mechanical:
 Contact Material: Brass.
 Contact Plating: Au or Sn Over Ni.
 Insulator Material: Polyester UL94V-0.
 Standard: PBT.

Environmental:
 Operating Temp Range: $-40^{\circ}\text{C} \sim +105^{\circ}\text{C}$.
 *10P~16P Without "A" and "B"



Ordering Code:
 3120-XX N XX X L A 01

No. of Pins	Contact Plating	Insulator Material
10=10P 30=30P	S0=GoldFlash/Ni	A=BK-PBT
14=14P 34=34P	S1=3u" Gold/Ni	G=GY-PBT
16=16P 40=40P	S2=5u" Gold/Ni	
20=20P 50=50P	S3=10u" Gold/Ni	
24=24P 60=60P	S4=15u" Gold/Ni	
26=26P 64=64P	S5=30u" Gold/Ni	
	G0=Gold Flash	

ITEM	Part No.	Mating
Standard	3120-XXNSOGLA01	5111/5112
Alternate		

THIS DRAWING IS A CONTROLLED DOCUMENT

DRN: KAI XUAN, XU DATE: DEC. 07. 2020
 CHK: MIKE DATE: DEC. 07. 2020
 APVD: PETER DATE: DEC. 07. 2020

UNITS: MM SCALE: 1 : 1 SIZE: A4

CAGE CODE: 594309442 FILE PATH: A/D/YTCOTZ/Ejector Header/2.54mm SHEET: 1 OF 1 REV: A

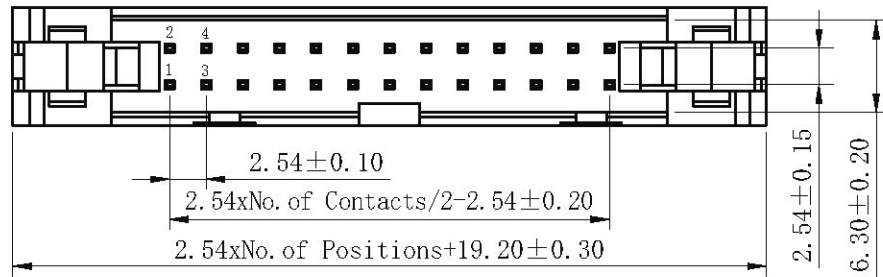
YTCO TECHNOLOGY
 HTTP://WWW.YTCO.CO

TITLE: EJECTOR HEADER, 2.54MM PITCH, IDC TYPE
 PART NO: 3120-XXNXXLA01
 DRAWING NO: 3120-N

RoHS Compliant

*Due To Technical Progress, All The Information Provided Is Subject To Change Without Prior Notice.

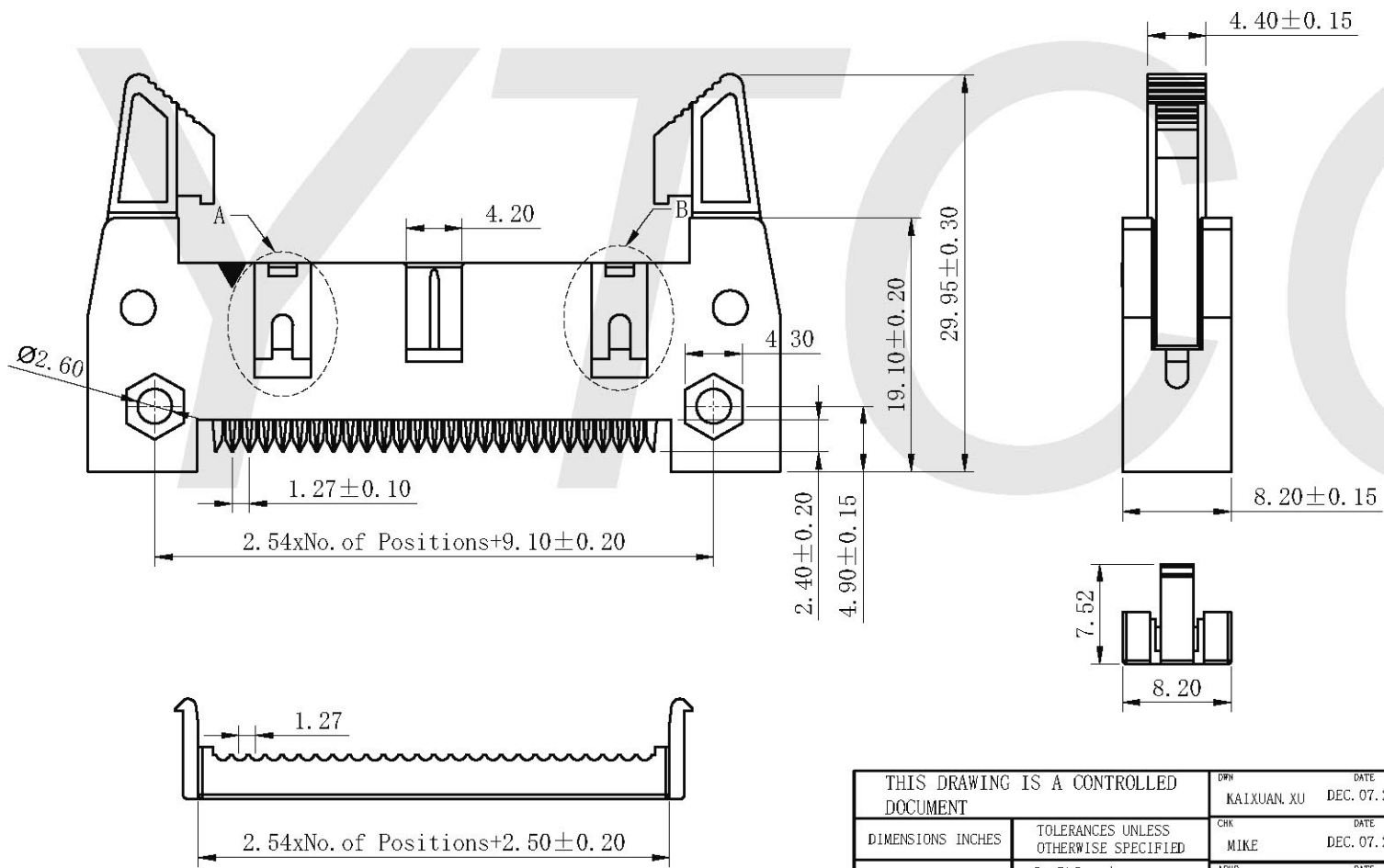
Rev No	Revision note	Date	Signature	Checked
A/0	NEW DRAWING	DEC. 07. 2020		



Electrical:
 Current Rating: 3.0AMP.
 Contact Resistance: $20m\Omega$ Max.
 Insulation Resistance: $1000M\Omega$ Min.
 Withstanding Voltage: 1000V AC/DC.

Mechanical:
 Contact Material: Brass.
 Contact Plating: Au or Sn Over Ni.
 Insulator Material: Polyester UL94V-0.
 Standard: PBT.

Environmental:
 Operating Temp Range: $-40^{\circ}\text{C} \sim +105^{\circ}\text{C}$.
 *10P~16P Without "A" and "B"



Ordering Code:
 3120-XX N XX X S A 01

No. of Pins	Contact Plating	Insulator Material
10=10P 30=30P	S0=GoldFlash/Ni	A=BK-PBT
14=14P 34=34P	S1=3u" Gold/Ni	G=GY-PBT
16=16P 40=40P	S2=5u" Gold/Ni	
20=20P 50=50P	S3=10u" Gold/Ni	
24=24P 60=60P	S4=15u" Gold/Ni	
26=26P 64=64P	S5=30u" Gold/Ni	
	G0=Gold Flash	

ITEM	Part No.	Mating
Standard	3120-XXNSOGSA01	5111/5112
Alternate		

THIS DRAWING IS A CONTROLLED DOCUMENT

DRN: KAI XUAN, XU DATE: DEC. 07. 2020
 CHK: MIKE DATE: DEC. 07. 2020
 APVD: PETER DATE: DEC. 07. 2020

UNITS: MM SCALE: 1 : 1 SIZE: A4

CAGE CODE: 594309442 FILE PATH: A/D/YTCOTZ/Ejector Header/2.54mm SHEET: 1 OF 1 REV: A

YTCO TECHNOLOGY
 HTTP://WWW.YTCO.CO

TITLE: EJECTOR HEADER, 2.54MM PITCH, IDC TYPE
 PART NO: 3120-XXNXXSA01
 DRAWING NO: 3120-N

DIMENSIONS INCHES	TOLERANCES UNLESS OTHERWISE SPECIFIED
0 PLC	\pm —
1 PLC	\pm 0.40
2 PLC	\pm 0.25
3 PLC	\pm 0.15
4 PLC	\pm 0.10
ANGLES	\pm 3°